

**PLAS 920 B ~ ACANTHUS LIGHT COVE**



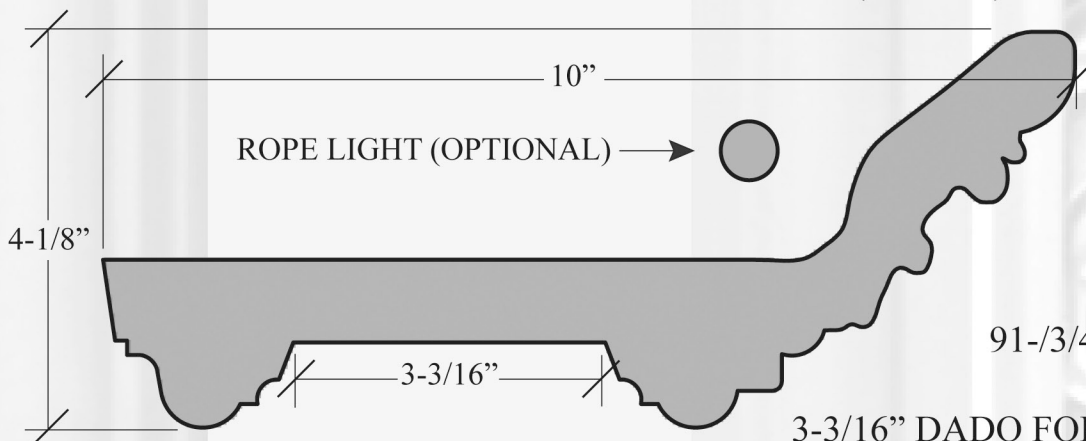
*J.P. Weaver Company*



PHOTO SCALE: 1/4" = 1"

**PLAS 920 B LIGHT COVE SHOWN WITH RMF 1054 ROLLED LEAF & PEARL SURROUNDING PANELIZED DOME (9'-6" DIA.)**

**PLAS 920 B  
ACANTHUS  
LIGHT COVE**



10-1/8" WIDTH  
4-1/8" HEIGHT  
90-3/4" LENGTH  
4-1/2" REPEAT

54 LBS. PER LENGTH  
91-3/4" SHIPPING LENGTH

3-3/16" DADO FOR OPTIONAL DETAIL,  
SUCH AS **RMF 1054 ROLLED LEAF & PEARL**

PROFILE SCALE: 1/2" = 1"