

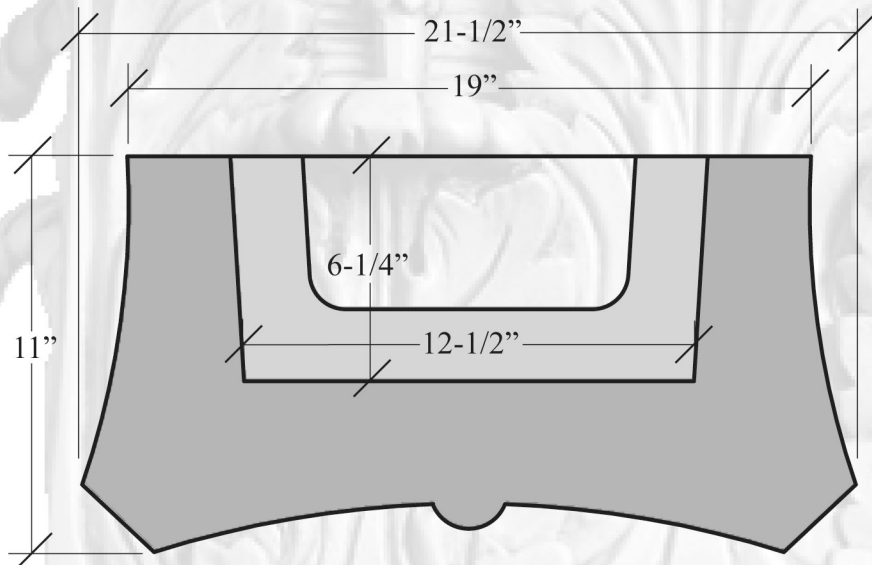
**PLAS 845 ~ CORINTHIAN CAPITAL**



FRONT VIEW SCALE: 3/16" = 1"



SIDE VIEW SCALE: 3/16" = 1"



PROFILE SCALE: 3/16" = 1"

**PLAS 845**

**CORINTHIAN CAPITAL**

- WIDTH @ TOP FRONT: 21-1/2"
- WIDTH @ TOP BACK: 19"
- WIDTH @ BOTTOM: 12-1/2"
- PROJECTION @ TOP: 11"
- PROJECTION @ BOTTOM: 6-1/4"
- HEIGHT: 17-3/16"
- SHAFT SIZE: 12-1/2" x 6-1/4"
- WEIGHT: 30 LBS.