

PLAS 845 B ~ CORINTHIAN CAPITAL WITH COIN



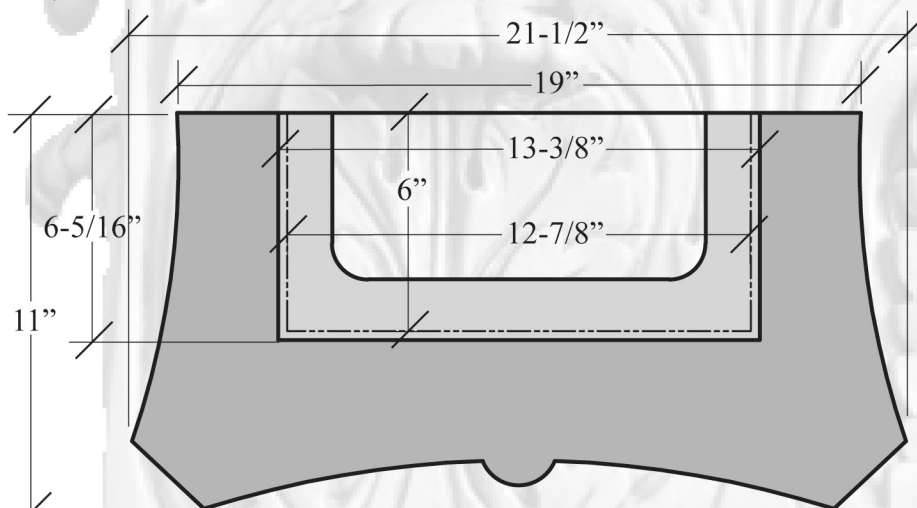
FRONT VIEW
SCALE: 3/16" = 1"



SIDE VIEW
SCALE: 3/16" = 1"

PLAS 845 B

**CORINTHIAN CAPITAL
WITH COIN**



PROFILE SCALE: 3/16" = 1"

- WIDTH @ TOP FRONT: 21-1/2"
- WIDTH @ TOP BACK: 19"
- WIDTH @ BOTTOM: 13-3/8"
- PROJECTION @ TOP: 11"
- PROJECTION @ BOTTOM: 6-5/16"
- HEIGHT: 24-3/8"
- SHAFT SIZE: 12-7/8" x 6"
- WEIGHT: 35 LBS.